

# RC-A3N Series

## -Pressure transmitter voltage amplification board

### 一、 Overview

RC - A3N series pressure transmitter amplifier circuit board is mainly supporting pressure transmitter in miniature (straight rod type/rod type/L type)。

### 二、 Performance Index

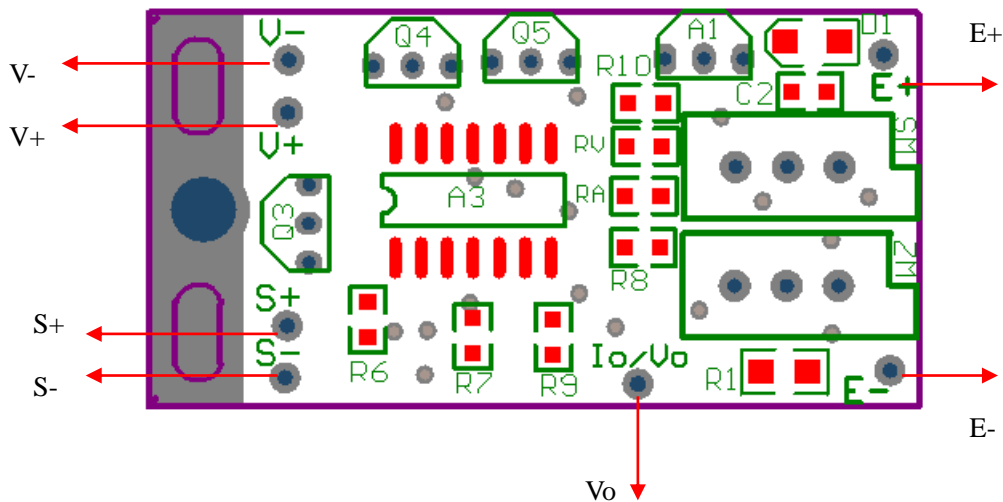
Applicability: Strain sensor chip

Output Signal: 0-5/10V three-wire system

Power Supply Voltage: 24V DC (12-36V)

Outline Size: 19×38.5mm

### 三、 Wiring Code:



### 四、 Wiring instructions

E+ ——Electric Source+ 24V DC

E- ——Electric Source- 0V

V+ ——Sensor Source+

V- ——Sensor Source-

S+ ——Sensor Signal+

S- ——Sensor Signal-

Z ——Zero Potentiometer

S ——The full potentiometer

Vo ——0-5/10V Output

**Note:** If you have any questions during the debugging process, please feel free to contact us. Thank you!

Calibration: Zero pressure state Z potentiometer set 0.05V;  
Full point pressure state S potentiometer adjust 10V

