

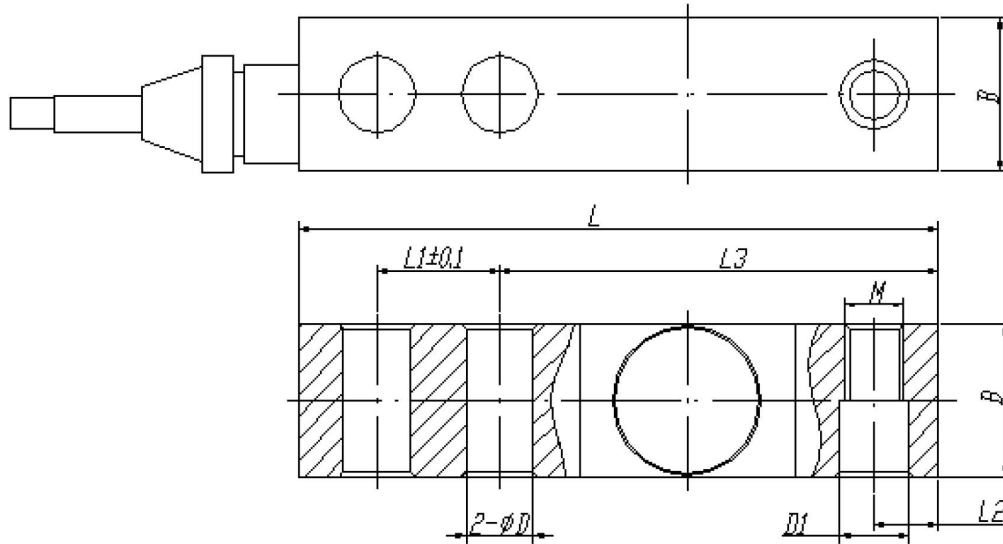
Type: singal-ended shear beam load cell
Material: alloy steel or stainless steel
Surface: nickel plated or anodized treatment
Protection: IP68(laser welded)
Application: floor scales, cattle scales, hoppers and tank scales , platform scales



M12 - Lazer Hermatic Kapak

1. Rated Load	0.5-5 (t)
2. Rated Output	3.0mV/V±0.25%
3. Zero Balance	±1%F.S
4. Input Resistance	400±10Ω
5. Output Resistance	350±3Ω
6. Excitation Voltage	9-12VDC
7. Nonlinearity	0.02%F.S
8. Hysteresis	0.02%F.S
9. Repeatability	0.02%F.S
10. Creep(30min)	0.02%F.S
11. Operating Temperature	-20°C To +65°C
12. Temperature Effect on Zero	0.03%F.S/10°C
13. Temperature Effect on Span	0.02%F.S/10°C
14. Insulation Resistance	5000MΩ(50VDC)
15. Safe Overload	150%F.S
16. Ultimate Overload	200%F.S
17. Cable	5m(Φ5mm 4-wire shielding cable)

Dimensions :



Cap	L	B	L1	L2	L3	D	D1	M
0.5t	130	32	25.4	12.7	88.9	Ø13.5	Ø14	M12
1t	130	32	25.4	12.7	88.9	Ø13.5	Ø14	M12
1.5t	130	32	25.4	12.7	88.9	Ø13.5	Ø14	M12
2t	130	32	25.4	12.7	88.9	Ø13.5	Ø14	M12
3t	172	38	38.1	19.1	114.3	Ø19.8	Ø20	M18*1.5
5t	172	38	38.1	19.1	114.3	Ø19.8	Ø20	M18*1.5