

BM6A



- Stainless steel IP68 single point load cell
- Suitable for platform, belt scales and other weighing devices
- Hermetically sealed
- Maximum platform size: 350 x 350 mm



OIML test certificate no. TC7834 revision 1 C of C no R60/2000-NL1-10.32

Available models

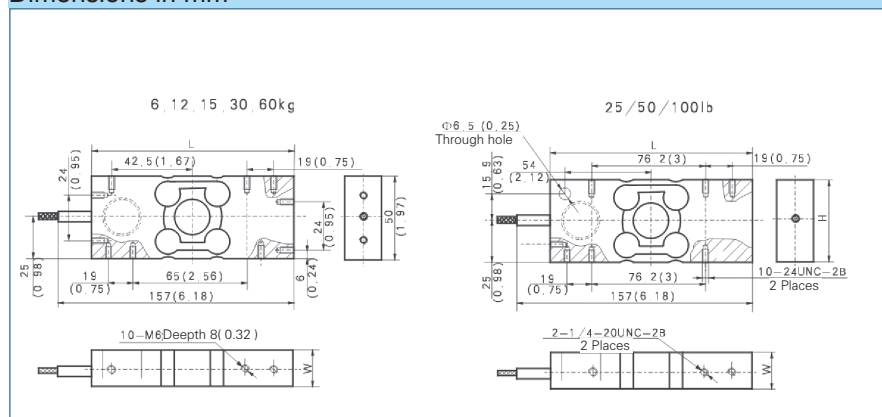
Capacity	Accuracy	Full article description
6kg	C3	BM6A-C3-6kg-6B6
12kg	C3	BM6A-C3-12kg-6B6
30kg	C3	BM6A-C3-30kg-6B6
60kg	C3	BM6A-C3-60kg-6B6

Specification

Accuracy class		OIML R60 C3
Output sensitivity (= FS)	mV/V	2.0 ± 0.2
Maximum capacity (E _{max})	kg	6, 12, 30, 60
Maximum number of load cell intervals (nLC)		3000
Ratio of minimum LC verification interval Y = E _{max} / v _{min}		15000
Combined error	%FS	± 0.0230
Minimum dead load	of E _{max}	0%
Safe overload	of E _{max}	150 %
Ultimate overload	of E _{max}	300 %
Zero balance	%FS	± 1.5
Excitation, recommended voltage	V	5 ~ 12 (DC)
Excitation maximum	V	18 (DC)
Input resistance	Ω	400 ± 20
Output resistance	Ω	350 ± 3.5
Insulation resistance	MΩ	≥ 5000 (50VDC)
Compensated temperature	°C	-10 ~ +40
Operating temperature	°C	-35 ~ +65
Storage temperature		-40 ~ +70
Element material		Stainless steel
Ingress protection (according to EN 60529)		IP68
Recommended torque on fixation	N.m	M6: 10
ATEX classification (optional)		II1G Ex ia IIC T4 II1D Ex iaD 20 T73°C II3G Ex nL IIC T4

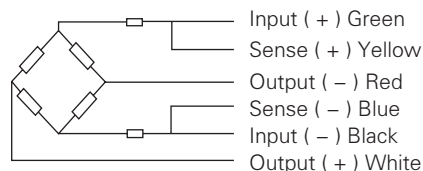
Note: "S1" output sensitivity is 2.0 ± 0.002mV/V, input resistance is 384 ± 4

Dimensions in mm



Capacity	6 kg	12 kg	30 kg	60 kg
A in mm	18.5	18.5	18.5	23.5

Wiring



- Shielded cable, 6 conductor cable.
- Cable diameter: Φ6.2mm
- Standard cable length: 6m
- Shield not connected to element