

BM8H

- Stainless steel IP68 shear beam load cell
- Hermetically sealed
- Suitable for hopper, platform and pallet scales
- High accuracy
- Current calibrated (sc-option)

Available models

Capacity	Accuracy	Full article description
500kg	C3	BM8H-C3-500kg-3B-A1
1t	C3	BM8H-C3-1t-3B-A1
1.5t	C3	BM8H-C3-1.5t-3B-A1
2t	C3	BM8H-C3-2t-3B-A1
3t	C3	BM8H-C3-3t-3B-A1
5t	C3	BM8H-C3-5t-3B-A1



test certificate no. TC8104 Revision 2
C of C no R60/2000-NL1-13.20 Revision 1

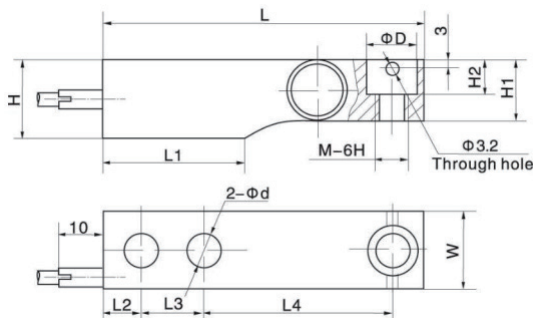


Certificate no. 10-056A2

Specification

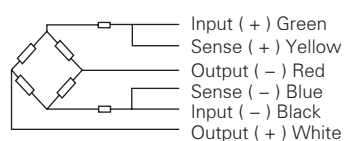
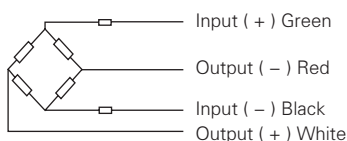
Accuracy class		OIML R60 C3
Output sensitivity (= FS)	mV/V	2.0 ± 0.002
Maximum capacity (E _{max})	t	0.5, 1, 1.5, 2, 3, 5
Maximum number of load cell intervals (nLC)		3000
Ratio of minimum LC verification interval Y = E _{max} / V _{min}		10000
Combined error	%FS	± 0.023
Minimum dead load	of E _{max}	0%
Safe overload	of E _{max}	150 %
Ultimate overload	of E _{max}	300 %
Zero balance	%FS	± 1.0
Excitation, recommended voltage	V	5 ~ 12(DC)
Excitation maximum	V	18(DC)
Input resistance	Ω	350 ± 3/1000 ± 10
Output resistance	Ω	350 ± 3/1000 ± 10
Insulation resistance	MΩ	≥ 5000 (50VDC)
Compensated temperature	°C	-10 ~ +40
Operating temperature	°C	-35 ~ +65
Storage temperature	°C	-40 ~ +70
Element material		Stainless steel
Recommended torque on fixation	N.m	M12:100 M20:500
Ingress protection (according to EN 60529)		IP68
ATEX classification (optional)		II1G Ex ia IIC T4 II1D Ex iaD 20 T73°C C II3G Ex nL IIC T4

Dimensions in mm



Capacity	500kg	1.0t	1.5t,2.0t	2.5t,3.0t	5.0t
Dimension					
L	130.0 (5.12)	130.0 (5.12)	130.0 (5.12)	172.0 (6.77)	172.0 (6.77)
L1	57.1 (2.25)	57.1 (2.25)	57.1 (2.25)	76.2 (3.0)	76.2 (3.0)
L2	15.5 (0.62)	15.5 (0.62)	15.5 (0.62)	19.1 (0.75)	19.1 (0.75)
L3	25.4 (1.0)	25.4 (1.0)	25.4 (1.0)	38.1 (1.5)	38.1 (1.5)
L4	76.2 (3.0)	76.2 (3.0)	76.2 (3.0)	95.3 (3.75)	95.3 (3.75)
H	31.8 (1.25)	31.8 (1.24)	35.9 (1.41)	44 (1.72)	44 (1.72)
H1	26.0 (1.02)	27.95 (1.10)	31.95 (1.26)	36 (1.42)	40 (1.57)
H2	14.2 (0.55)	14.2 (0.55)	14.2 (0.55)	20 (0.78)	20 (0.78)
W	31.8 (1.24)	31.8 (1.24)	31.8 (1.24)	38 (1.48)	38 (1.48)
D	20.5 (0.81)	20.5 (0.81)	20.5 (0.81)	30.2 (1.19)	30.2 (1.19)
d	13 (0.51)	13 (0.51)	13 (0.51)	20.5 (0.81)	20.5 (0.81)
M	M12	M12	M12	M20	M20

Wiring



- Shielded, 6 conductor cable and 4 conductor cable for all capacities.
- Cable diameter: Φ5mm.
- Standard cable length for 500kg – 1t: 3m and for 2t – 5t: 6m.
- Shield not connected to element.