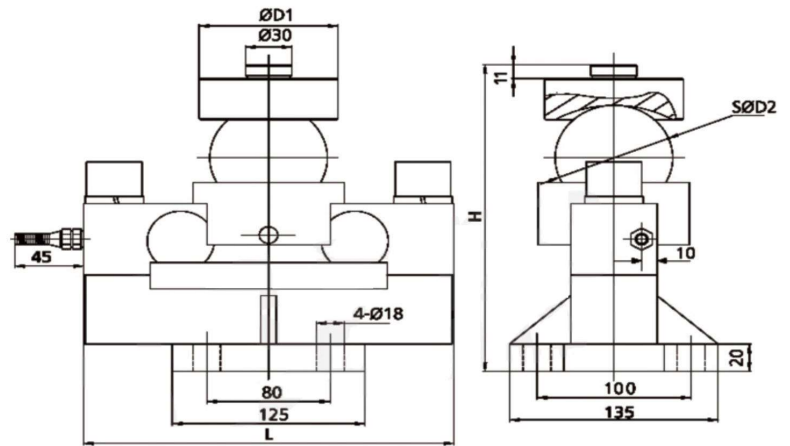


HQS

Beam type weighing sensor

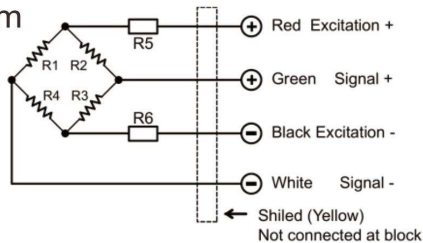


HQS02 Applied to truck scales, railway scales, tank scales, all kinds of special weighing instruments

Main Dimensions

(t) Rated load	5	10, 15, 20, 25, 30	40
D1	68	85~88	88
D2	50.8	76.2	76.2
H	168.8	224.7	230.7
L	224	240	240

Circuit Diagram



Specification

Rated load (Emax)	5,10,20,25,30,40t	Insulation resistance	≥ 5000MΩ
Sensitivity	2.0±0.002%mV/V	Operating Temp Range	(-30~+70)°C
Combined error	±0.03 % F.S	Safe load limit	150%F.S
Creep/30min)	±0.02 % F.S/30min	Ultimate overload	200%F.S
Zero balance	±1 % F.S	Recommend excitation	10~12V(DC or AC)
TCO	±0.02 % F.S/10°C	Max excitation	15V DC
TC SPAN	±0.02 % F.S/10°C	Protection Class	IP67(5t), IP68(10~50t)
Input resistance	750±10Ω	Material	Alloy steel Stainless steel
Output resistance	702±3Ω	Cable	Diameter: Φ 6mm Length=L:5.2m(5t),8m(10t),10m(15t),10/15m(20t),12/15m(25t),12/16m(30t)