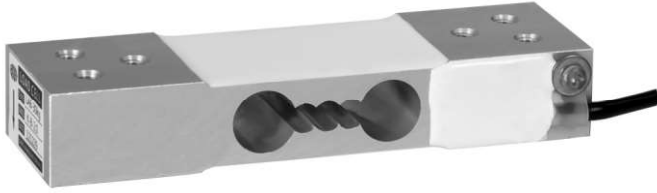
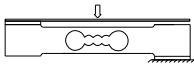


单点称重传感器 Single point load cells

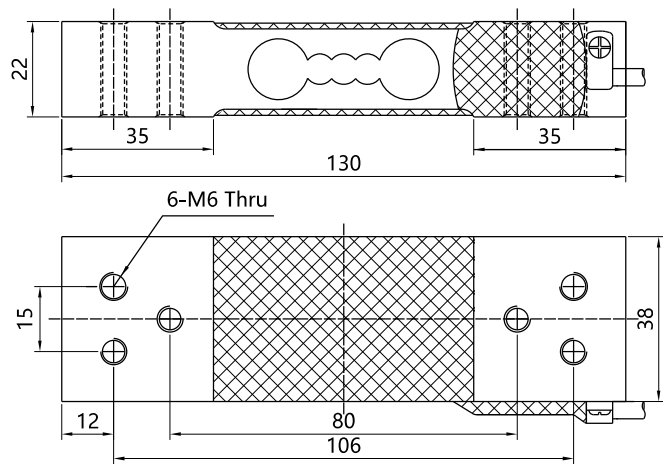
LAB-K



特点 Features

- ※ 铝合金结构 Aluminum alloy.
- ※ 广泛用于计价秤,计数秤,计重秤等。
Mainly used for price computing scales, counting scales, weighing scales etc.
- ※ 最大秤盘尺寸250×350mm。
Max. platform size: 250×350mm.

RoHS 



单点称重传感器 Single point load cells

LAB-K

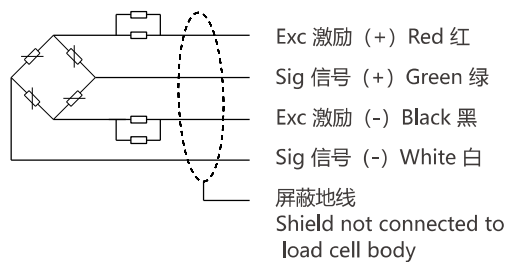
额度量程 Rated Capacity	20,30,40,50,60,100 (kg)
精度等级 Accuracy Class	G
额度输出 Rated Output	2.0±10% mV/V
零点输出 Zero Balance	±5% R.O.
输入电阻 Input Resistance	405±10Ω
输出电阻 Output Resistance	350±3Ω

推荐激励电压 Excitation, Recommended	5 - 12VDC
最大激励电压 Excitation, Maximum	18VDC
工作温度范围 Operating Temp. Range	-20 - +60°C
安全过载范围 Safe Overload	150% R.C.
极限过载范围 Ultimate Overload	200% R.C.
绝缘电阻 Insulation Resistance	≥5000MΩ(50VDC)
电缆线长度 Cable, Length	ø4mm×0.4m *
防护等级 Protection Class	IP65

非线性误差 Linearity Error	±0.015% R.O.
重复性误差 Repeatability Error	±0.01% R.O.
滞后误差 Hysteresis Error	±0.01% R.O.
30分钟蠕变 Creep in 30 Min.	±0.02% R.O.
输出温度影响 Temp. Effect on Output	±0.02% R.O./10°C
零点温度影响 Temp. Effect on Zero	±0.02% R.O./10°C
温度补偿范围 Compensated Temp. Range	-10 - +40°C

接线图 Wiring code:

四芯屏蔽电缆线 4-Wire Shielded Cable



*出线电缆长度可订制,订货时说明。

The length of cable can be customized, ordering instructions.

外形尺寸和技术参数可能修改, 均需最终确认。
Dimension & Specification will be change, please certified final.

www.lctxm.com