

BM14G



- Stainless steel IP68 compression load cell
- Hermetically sealed
- Suitable for hopper scales and vehicle testing facilities
- Built in surge arrestors
- Current calibrated (sc-option)



OIML test certificate no. D09-05.21 Revision 1
R60/2000-CN1-06.07

INMETRO Certificate no. 10-087

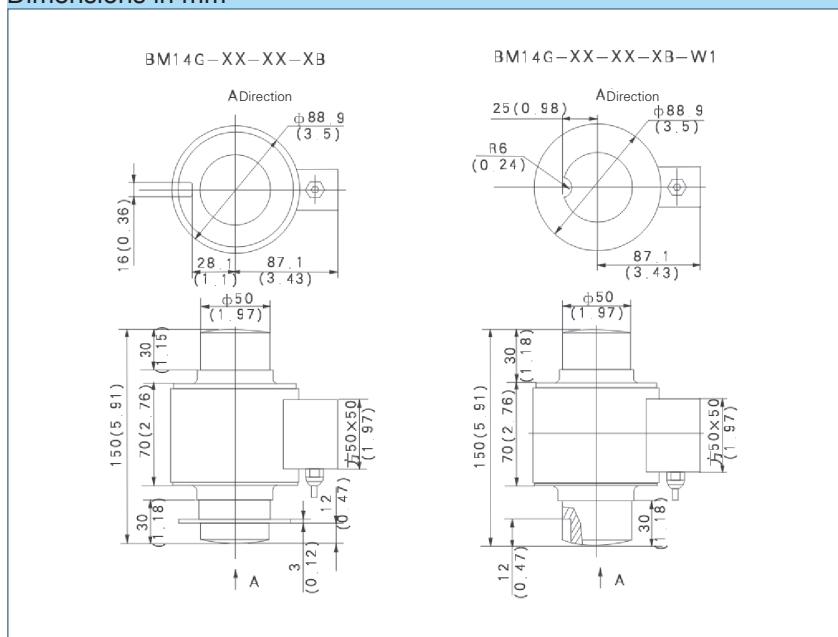
Available models

Capacity	Accuracy	Full article description
xx t	C3/C4	BM14G-C3/C4-xx t-15B
xx t	C3/C4	BM14G-C3/C4-xx t-15B-W1

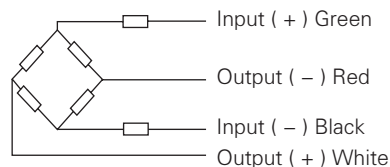
Specification

Accuracy class		OIML R60 C3	OIML R60 C4
		Output sensitivity (= FS)	mV/V
Maximum capacity (E _{max})	t	10, 20, 30, 40, 50	
Maximum number of load cell intervals (nLC)		3000	4000
Ratio of minimum LC verification interval Y = E _{max} / v _{min}		8800	
Combined error	%FS	± 0.0230	± 0.0175
Minimum dead load	t	0	
Safe overload	of E _{max}	150 %	
Ultimate overload	of E _{max}	300 %	
Zero balance	%FS	± 1.0	
Excitation, recommended voltage	V	5 ~ 12(DC)	
Excitation maximum	V	18(DC)	
Input resistance	Ω	700 ± 7	
Output resistance	Ω	703 ± 4	
Insulation resistance	MΩ	≥ 5000 (50VDC)	
Compensated temperature	°C	-10 ~ +40	
Operating temperature	°C	-35 ~ +65	
Storage temperature	°C	-40 ~ +70	
Element material		Stainless steel	
Ingress protection (according to EN 60529)		IP68	
ATEX classification (optional)		II1G Ex ia IIC T4	II1D Ex iaD 20 T73°C II3G Ex nL IIC T4

Dimensions in mm



Wiring



- Shielded, 4 conductor cable
- Cable Diameter: Φ5mm
- Standard cable length: 15m
- Shield not connected to element

Note:

- BM14G-XX-XX-XB type is not suitable for the following countries: UK, France, Germany, Italy, The Netherlands.
- Users can choose different structures of BM14G products, or contact with ZEMIC sales representatives for further products information.