

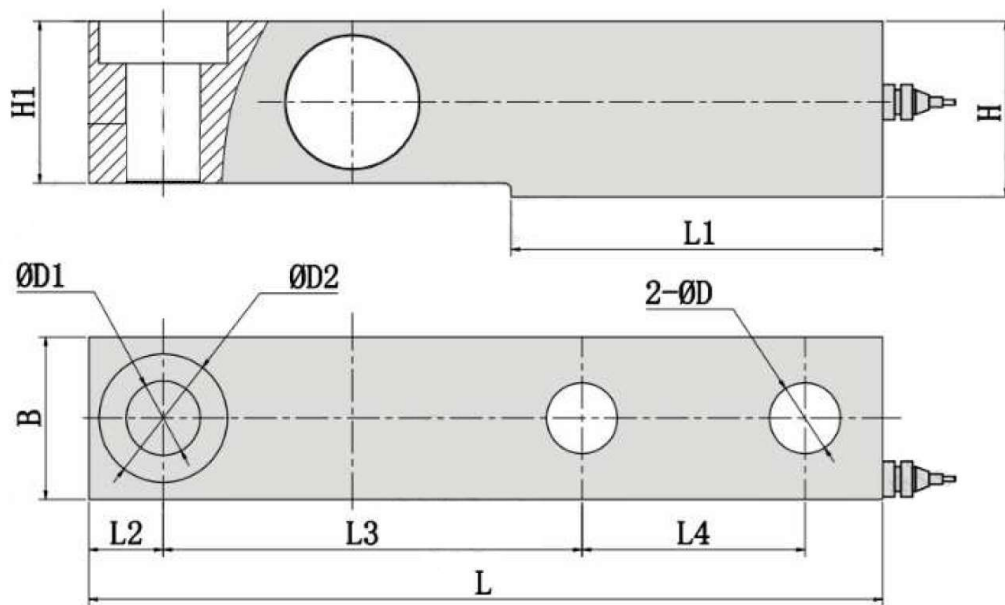
**Model: C8SB**

**Type:** singal-ended shear beam load cell  
**Material:** alloy steel  
**Surface:** nickel plated or anodized treatment  
**Protection:** IP66(laser welded)  
**Application:** floor scales, cattle scales, hoppers and tank scales , platform scales



1. Rated Load	0.5-10 (t)
2. Rated Output	2.0±0.005mV/V
3. Zero Balance	±1%F.S
4. Input Resistance	400±10Ω
5. Output Resistance	350±3Ω
6. Excitation Voltage	9-12VDC
7. Nonlinearity	0.03%F.S
8. Hysteresis	0.02%F.S
9. Repeatability	0.03%F.S
10.Creep(30min)	0.03%F.S
11.Operating Temperature	-20°C To +65°C
12.Temperature Effect on Zero	0.03%F.S/10°C
13.Temperature Effect on Span	0.03%F.S/10°C
14.Insulation Resistance	5000MΩ(50VDC)
15. Safe Overload	150%F.S
16.Ultimate Overload	200%FS
17. Cable	5m(Φ5mm 4-wire shielding cable)

**Dimensions:**



(t)	L	L1	L2	L3	L4	D	D1	D2	H	H1	B
0.5											
1											
2	203	95	22	98	64	13	16	32	43	37	37
3											
5	235	110	22	124	66	21	22	38	52	48	48
10	279	133	32	140	82	28	32	48	67	60	60
20	318	153	38	159	89	34	38	54	82	70	70